



Sirius

A U S T R A L I A

SMART / **SWITCH**

Onboard Undermount Rangehoods

6 Year Warranty
when Sirius ducting is used.

www.siriusbrand.com

Exclusive to

e&s
KITCHEN · BATHROOM · LAUNDRY

SMART/SWITCH BI-POWER mode

The new **Smart-Switch BI-POWER** feature is designed to offer the user a rangehood with the option for significant energy saving and noise reduction, specifically for cooking that does not require high-powered extraction performances.

Activating the **Smart-Switch BI-POWER** increases the airflow of the hood for when a more powerful extraction is required.



SL926 DL 520: ECO mode

Speed	Airflow	Noise
1	221 m³/h	25dbA
2	320 m³/h	31dbA
3	491 m³/h	34dbA
4	755 m³/h	44dbA

SL926 DLTM850: ECO mode

Speed	Airflow	Noise
1	407 m³/h	32dbA
2	705 m³/h	35dbA
3	1091 m³/h	44dbA
4	1523 m³/h	53dbA



SL926 DL 520: POWER mode

Speed	Airflow	Noise
1	308 m³/h	34dbA
2	467 m³/h	41dbA
3	677 m³/h	45dbA
4	1020 m³/h	56dbA

SL926 DLTM850: POWER mode

Speed	Airflow	Noise
1	607 m³/h	34dbA
2	902 m³/h	39dbA
3	1364 m³/h	48dbA
4	1930 m³/h	62dbA

Motor Power Consumption: per motor

Speed	ECO mode	Power mode
1	60 W	105 W
2	65 W	130 W
3	75 W	165 W
4	130 W	260 W

Features and Benefits



BI-POWER
MODE



ECO-FRIENDLY
POWER USE



NOISE-
REDUCTION
FUNCTION



25mm BAFFLE
FILTERS



DYNAMIC
LIGHTING



INDUCTION
SAFE



REMOTE
CONTROL

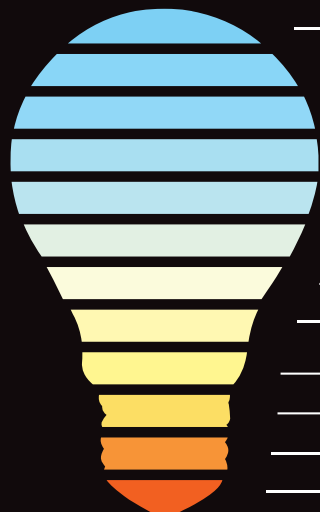


MADE IN
ITALY

Dynamic Lighting System

Rangehoods with the Dynamic Lighting System can adjust the Kelvin - light temperature or warmth - to match other light temperatures in the room.

Sirius rangehoods have a maximum temperature that is 40% brighter. The temperature range of the light depends on the rangehood model.



Kelvin scale

10,000K+	: Clear Blue Sky
6,000K - 7,500K	: Cool White LED, Cloudy Sky
4,800K - 6,000K	: Day White LED, Direct Sunlight
4,000K - 4,500K	: Natural White LED
3,000K	: 100W Halogen Bulb
2,700K - 3,200K	: Warm White LED
2,800K	: 100W Incandescent Bulb
1,900K	: Candle

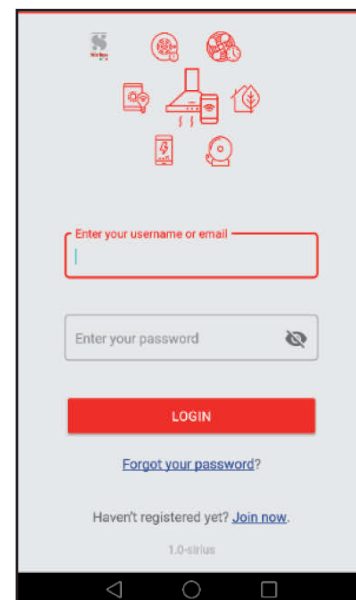


SIRIUS APP

The **Sirius Smart-Switch** rangehood is compatible with the Sirius app, allowing the user to control the rangehood with their mobile phone and Wi-Fi. The app is available for download from the Apple App store or the Google Play store.

FEATURES

- **Fan speed control and BI-POWER mode:**
Allows you to control the rangehood fan speed, and to switch between 'ECO' and 'BI-POWER' modes.
- **Custom auto shut-off timer:**
Extend your automatic shut-off timer to a time that suits your cooking needs (up to 2 hours).
- **Clean filter indicator:**
Alerts you to how many hours left of rangehood use you have before it is time to clean the baffle filters in your dishwasher.
- **Lighting adjustment:**
Adjust the brightness and warmth (Kelvin) of the LED light.



Google Assistant



amazon alexa

Compatible with Home Assistants

6 YEAR WARRANTY when Sirius Ducting is used

Undermount Range Features

Full Electronic Control
4 Speed Extraction
Independent Lighting Control

Induction Countdown Control
Ducted Applications Only

All models feature



SL926 DL 520

520mm Single Motor Undermount Rangehood

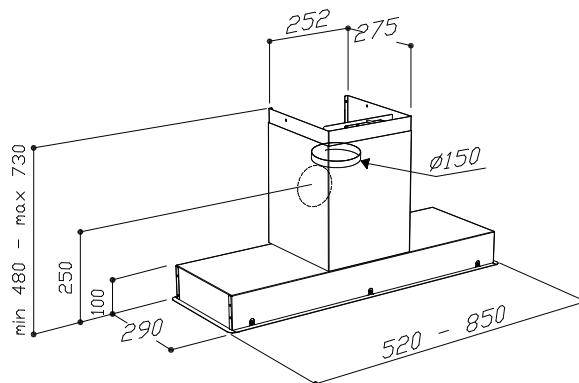
SL926 DL 850

850mm Single Motor Undermount Rangehood

Uses 150mm ducting

Dynamic LED Strip Lighting
25mm Commercial Stainless Filter
Includes grease overflow channel
Extra-space T-shape design allows for extra cupboard storage.

Note: Motor can be top or rear vented



* Need to allow 5mm extra for ease of installation on all models

SL926DLTM850

850mm Twin Motor Undermount Rangehood

SL926DLTM1000

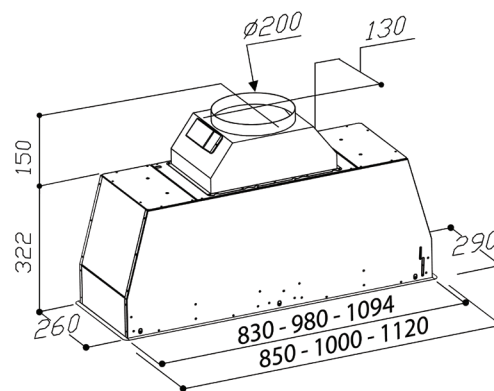
1000mm Twin Motor Undermount Rangehood

SL926DLTM1200

1200mm Twin Motor Undermount Rangehood

Uses 200mm ducting

Dynamic LED Strip Lighting
25mm Commercial Stainless Filter
Includes grease overflow channel



* Need to allow 5mm extra for ease of installation on all models

Select Sirius Ducting for your 6 year warranty.



EASY-ROOF KIT



EASY-EAVE KIT



EASY-WALL KIT

The Sirius SL926 DL 520 range uses 150mm ducting. See website for kit details and ducting options.

Remote control

The SL926 rangehood is supplied with sleek and stylish remote control, giving the user extra convenience of operating the hood at a distance.



- : Light ON/OFF.
- : Motor ON (speed level 1) / OFF.
- : Reduce speed.
- : Increase speed.
- : 10-minute shut-off timer.



www.siriusbrand.com

08/2020